

# CONNECTOR MANUFACTURERS

**TOPTEK**<sup>®</sup>  
HARDWARE ELECTRONIC MANUFACTURER

www.toptek-co.com

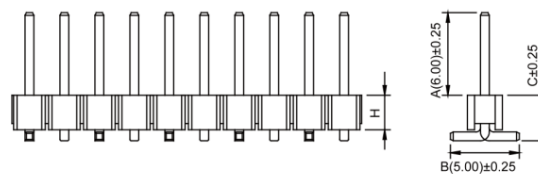
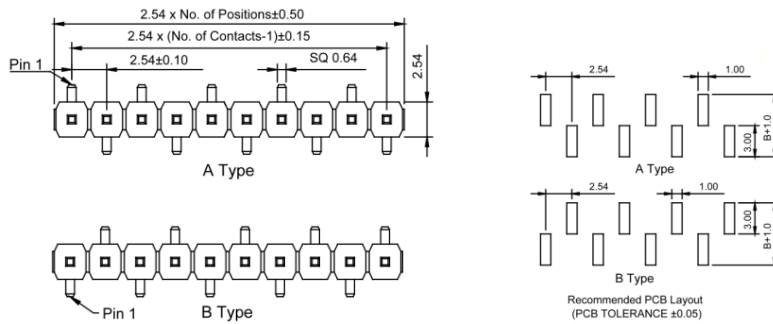
## Pin Header 2.54mm 1 Row H=2.5mm SMT Type

### Specifications

Current Rate: 3 AMP  
Insulation Resistance: 1000MΩ Min.  
Contact Resistance: 20mΩ Max.  
Dielectric Voltage: 1000V AC for one minute  
Operation Temperature: -40°C to +105°C

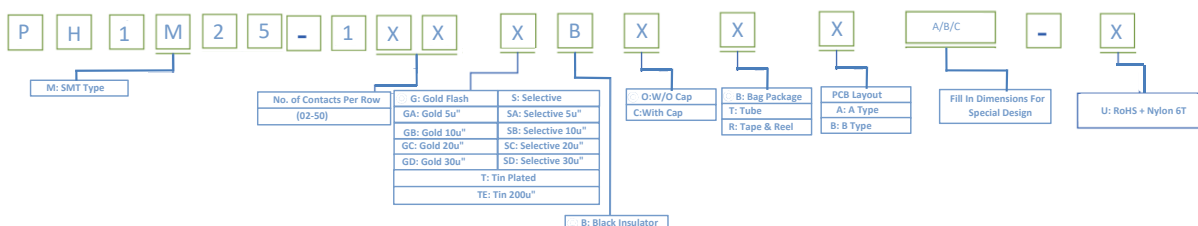
### Material

Insulator: Hi-Temp. Thermoplastic, UL 94V-0  
Terminal: Copper Alloy  
Plating: Gold Plated



Part No.: PH1M25-1XX-U

## ORDER INFORMATION



©: Standard Recommend

www.toptek-co.com

info@toptek-co.com

Pin-Female Header 2.54 mm

P

Pb

ROHS